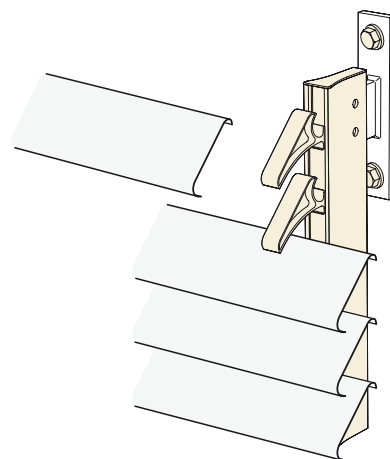




Project : West End, parking garage
Location : Bratislava, Slovakia
Product : HunterDouglas® Façades: type open structure 84R
Quantity : 3.000 m²
Special : Rounded corners + combinations of 3 different inclinasons of panels
Architect : Arch. Závodný

HunterDouglas

FAÇADES



SYSTEM OVERVIEW SUN LOUVRE 84R

SUN LOUVRE 84R

- Roll formed C-shaped panels 84 mm wide
- Highly reflective white coating at inside
- Coil coated with a UV and scratch resistant Luxacote® coating
- 17 standard modern colours available
- Colour matches on request
- Bent or curved to follow the shape of the building
- Endless linear appearance by connecting the panels
- Span at 1000 N/m² wind load 1.2 m

LINEAR FAÇADE 84R

- 84 mm wide
- Length up to 6000 mm
- Material thickness 0.6 mm
- Horizontal, vertical panel orientation
- Individual panels
- First class Luxacote® finish
- Extremely light roll formed panel

MOUNTING TYPES SUN CONTROL 84R

