



# QuadroMeleon & Glass

Optimal integrated systems

**QuadroClad**

**HunterDouglas**

FAÇADES

# QuadroMeleon

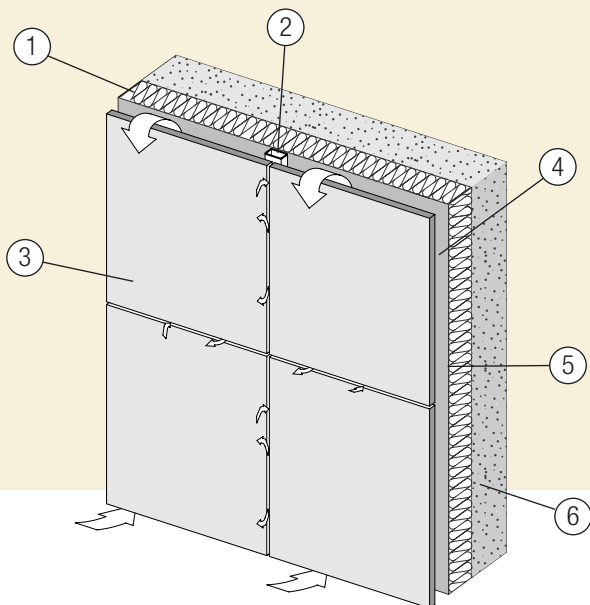
Now there's a new way to give your building personality. QuadroMeleon, a new system from Hunter Douglas Construction Elements.

QuadroMeleon is a development based upon our very successful QuadroClad Ventilated Rainscreen Facade System. Developed from an existing tried and tested system which includes windows, doors and louvres, QuadroMeleon is ideally suited to any building - low or high rise.

It is a frame in which all kinds of materials can be placed and fixed in the same concealed method as the QuadroClad panels on exactly the same substructure.

The maximum dimension of these panels is 1300 mm x 2000 mm. The joints are 15 mm. Channels are integrated within this unique system to allow ventilation and for rain and condensation to drain out from behind the cladding surface.

## BLUEPRINT OF A VENTILATED FAÇADE:



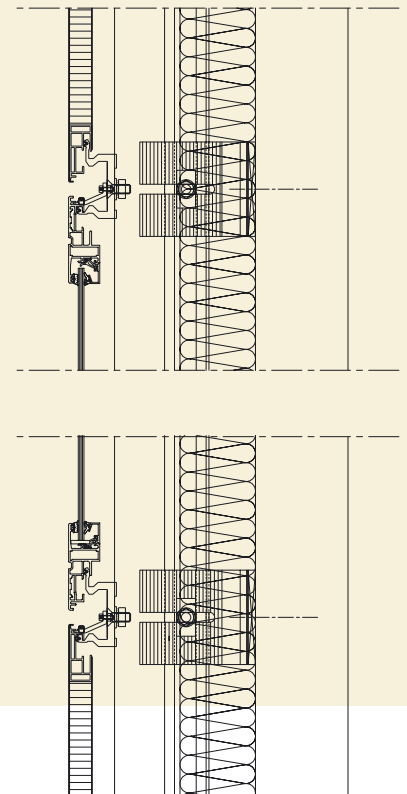
1. Ventilation
2. Drainage channel
3. Panel
4. Cavity
5. Thermal Insulation
6. Load bearing wall



Above : Arora International Hotel, Garwick / Crawley, UK  
Architect: Arora development  
Product : HunterDouglas® QuadroClad

## MAIN ADVANTAGES OF THE QUADROMELEON ARE:

- Designed to suit almost any material
- Individual panel installation or replacement
- Quick installation
- Windows can be installed first in order to obtain wind and watertightness at an early stage.





Right : 3D Impression Istragrafika  
Architect: Prof. Kincl  
Product : HunterDouglas® QuadroGlass



# QuadroGlass

... the other way to incorporate glass into the Hunter Douglas QuadroClad Facades. It is a new frameless system from Hunter Douglas Construction Elements. Also based upon the very successful QuadroClad Ventilated Rainscreen Facade System.

To the glass panels an aluminium extrusion is glued which can be installed on the same substructure as the aluminium panels. Result is a façade with different materials but where all the panels are situated in the same plane and fixed in the same concealed method.

QuadroGlass is suitable for any building - low and high rise. And where large panels are vital to the design there's a maximum of 1200 mm x 4000 mm for the glass panels. The joints are 10 mm.

Below : Building Site Istragrafika  
Architect: Prof. Kincl  
Product : HunterDouglas® QuadroGlass

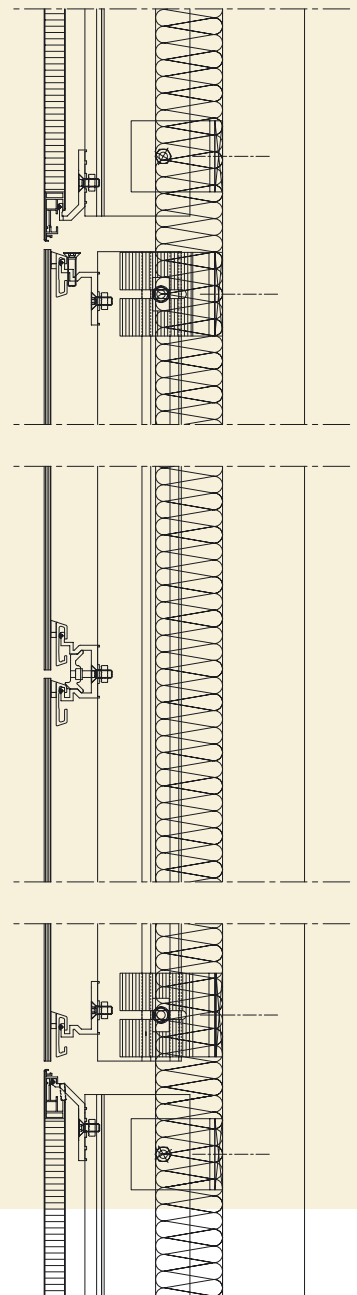


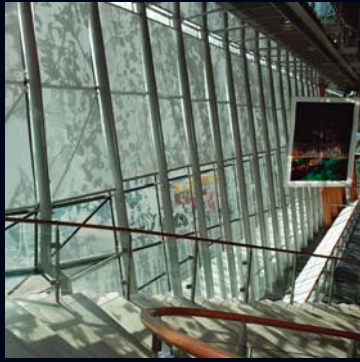
## MAIN ADVANTAGES OF THE QUADROGLASS ARE:

- Several types of glass applicable
- Individual panel installation or replacement
- Quick installation
- Glass and aluminium panels in same plane on facade



*We are dedicated manufacturing a sustainable product. Our paint and aluminium melting processes are considered to be one of the industry standards in terms of clean production processes. All aluminium products are 100% recyclable at the end of their lifecycle.*





Austria  
Belgium  
Bulgaria  
Croatia / Slovenia  
Czechia  
Denmark  
France  
Germany  
Greece  
Hungary  
Ireland  
Italy  
Kazakhstan  
the Netherlands  
Norway  
Poland  
Portugal  
Romania  
Russia  
Serbia  
Slovakia  
Spain  
Sweden  
Switzerland  
Turkey  
United Kingdom  
Africa  
Middle East

Asia  
Australia  
Latin America  
North America

**HUNTER DOUGLAS**  
**CONSTRUCTION ELEMENTS B.V.**  
Industriepark 17  
Postbus 128 - 9350 AC Leek  
Tel. +31 (0)594-515333 - Fax +31 (0)594-517851  
E-mail: [luxalon@hdce.nl](mailto:luxalon@hdce.nl)  
[www.hunterdouglascontract.com](http://www.hunterdouglascontract.com)

# HunterDouglas

WINDOW COVERINGS | CEILINGS | SUN CONTROL | FAÇADES